

| PLANNING

Top+health

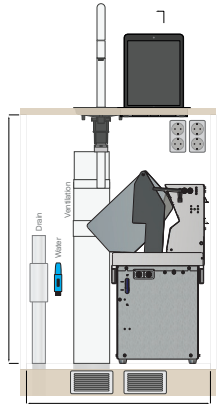
INFORMATION FOR

CUSTOMERS

ARCHITECTS & DESIGNERS

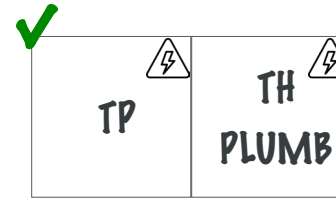
TopHealth Pre-Installation Planning Guide

In this guide you will find vital information to plan your Scanomat installation.



Installation Illustration

Installation setup for TopHealth with recommended standard layout and cabinet sizes.



Installation Layout Plan

Tool to plan the specific installation layout.

TopHealth Pre-Installation Guides for external contractors



Cut-Outs Guide

For carpenter and countertop supplier.

Cut-Outs in cabinets and countertop.



Electricity Guide

For electricians.

Electrical requirements and positioning.



Plumbing Guide

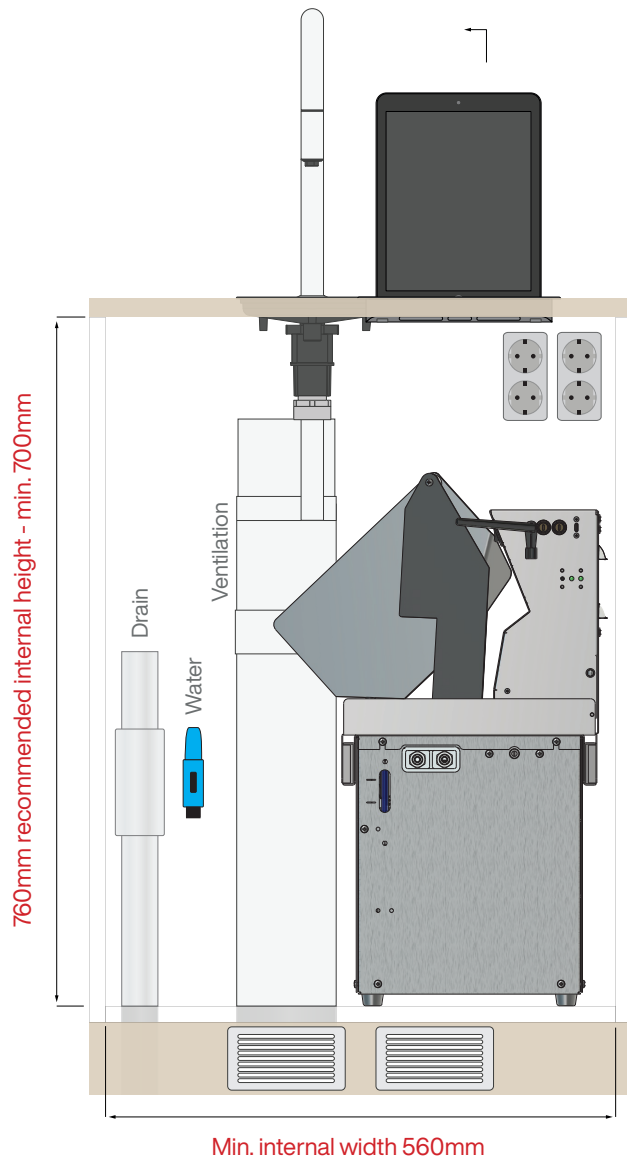
For plumbers.

Mandatory water supply and drainage for installations.

Find all Pre-Installation Guides and videos at scanomat.com/preinstallation

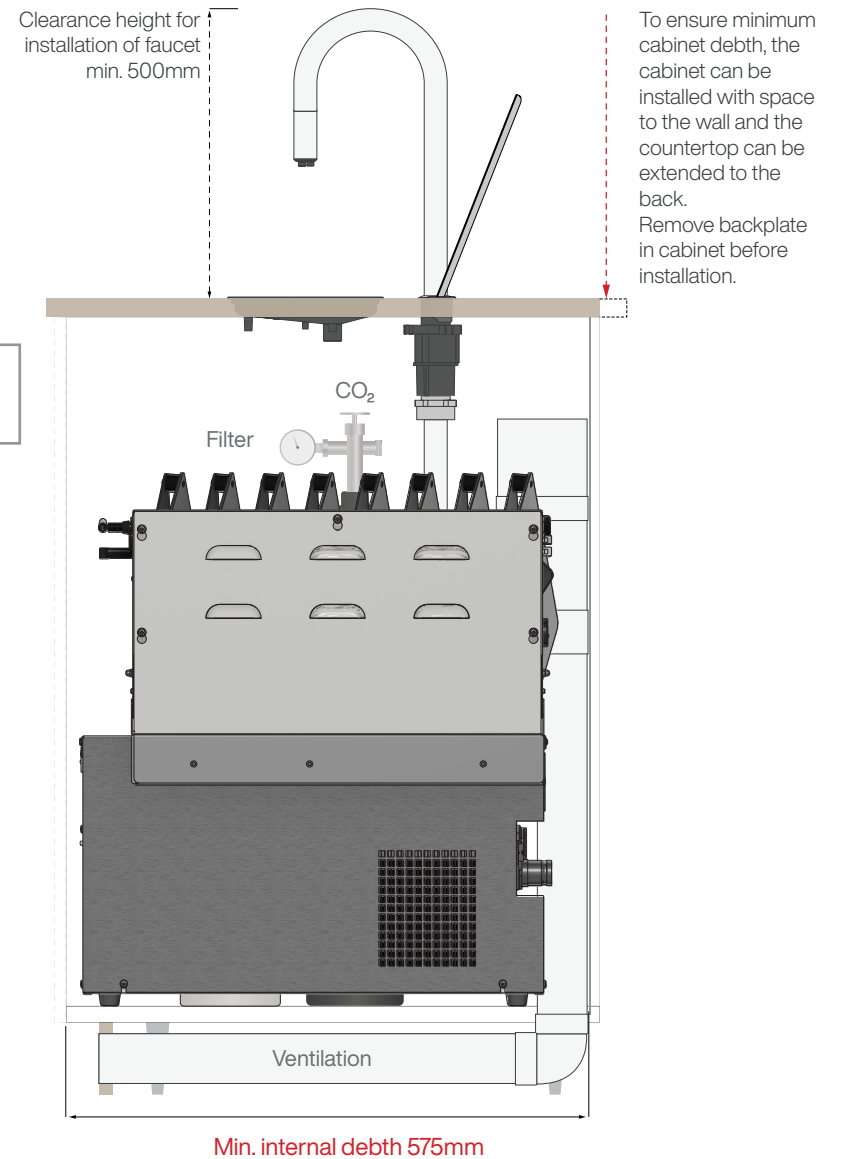
TopHealth

Installation Standard Layout



We refer to the Pre-Installation Guides to find specifications for cut-outs and electrical and plumbing installation specifications.

 All dimensions are shown as internal cabinet dimensions



| CUT-OUTS

Top+health

INFORMATION FOR

CARPENTER

COUNTERTOP SUPPLIER

WATCH
VIDEO
GUIDE

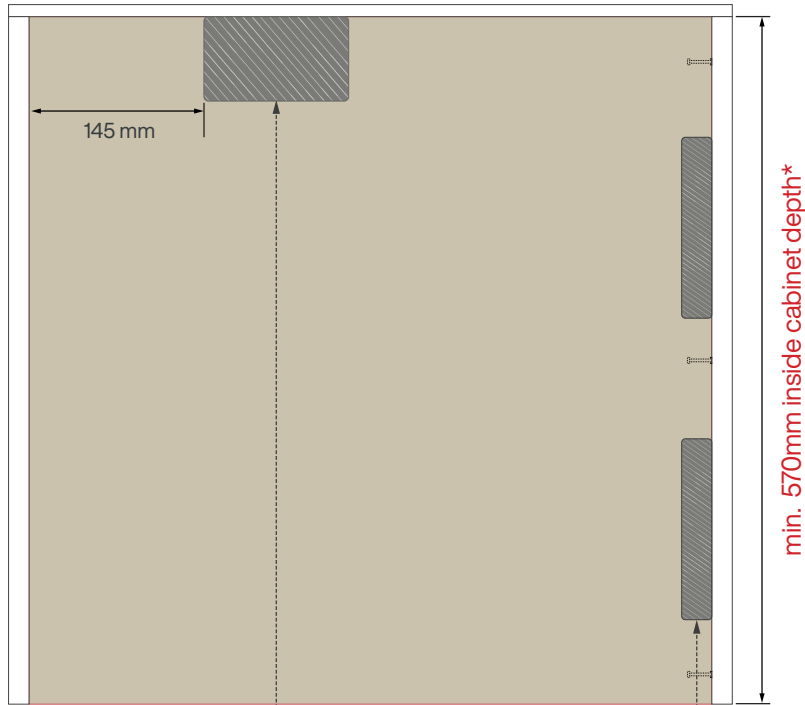


Cut-outs in cabinet with installation

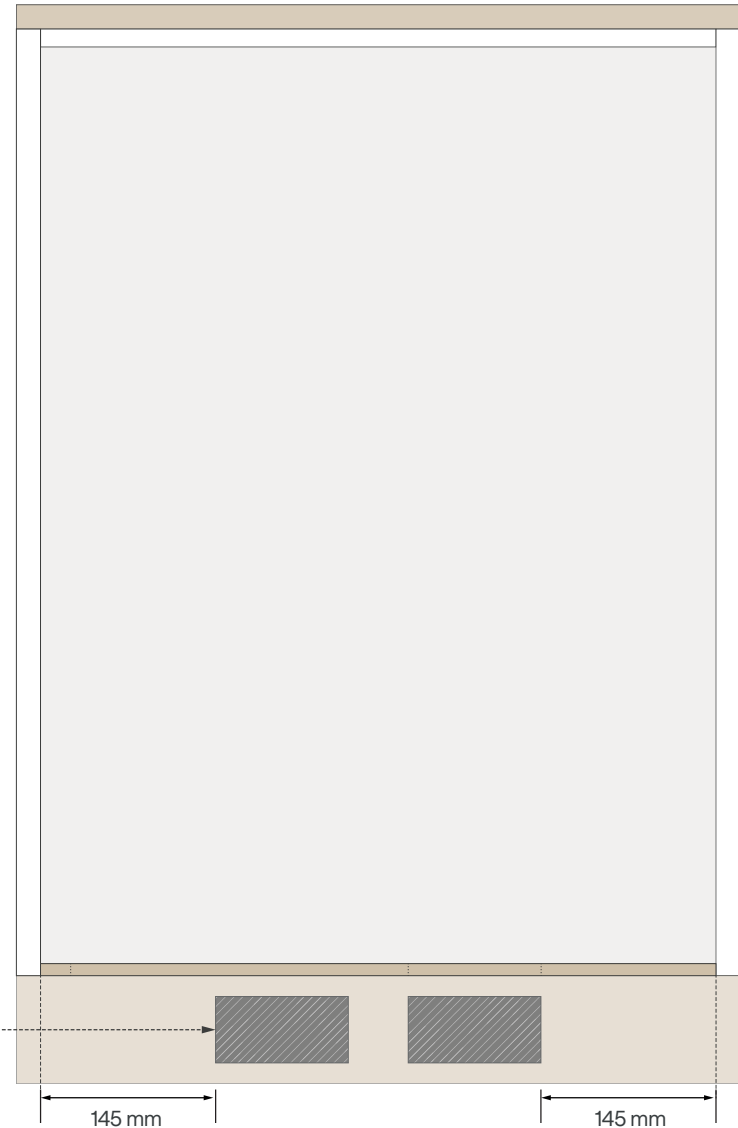
All cabinets with installation of a Scanomat machine must be prepared with cut-outs for ventilation.





Cabinet Top View (inside)




Cabinet Front View



<p>Flat Channel</p>  <p>120x70mm</p>	<p>Air-inlet - In total min. 75 cm² Can be divided and placed between cabinet fasteners. 300x25mm</p> 
--	---

*If the internal cabinet depth is less than 570 mm, please contact Scanomat before making ventilation cut-outs.

<p>Air-inlets - Two inlets in the footpanel</p>  <p>110x55mm</p>
--

Cut-outs in countertop for installation

Make sure the correct iPad holder is specified before starting the work.

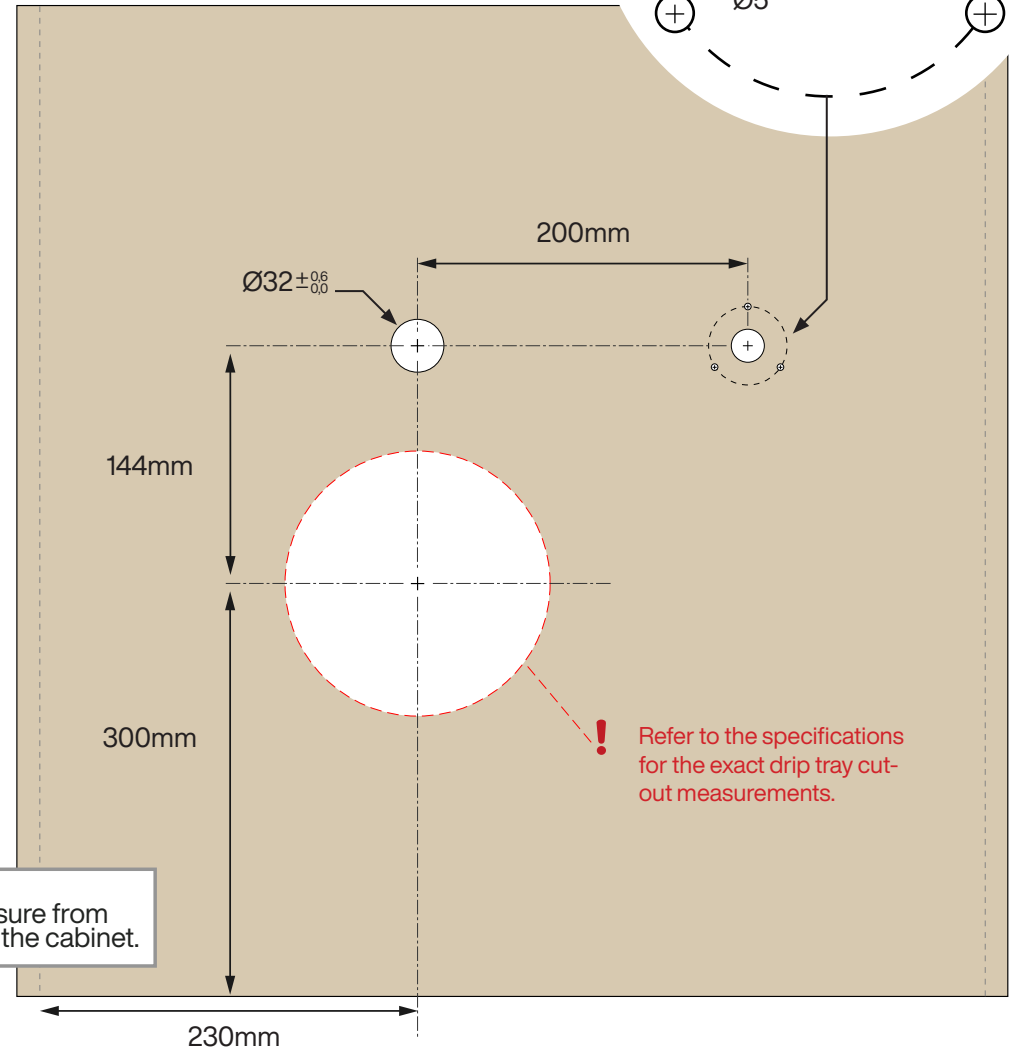
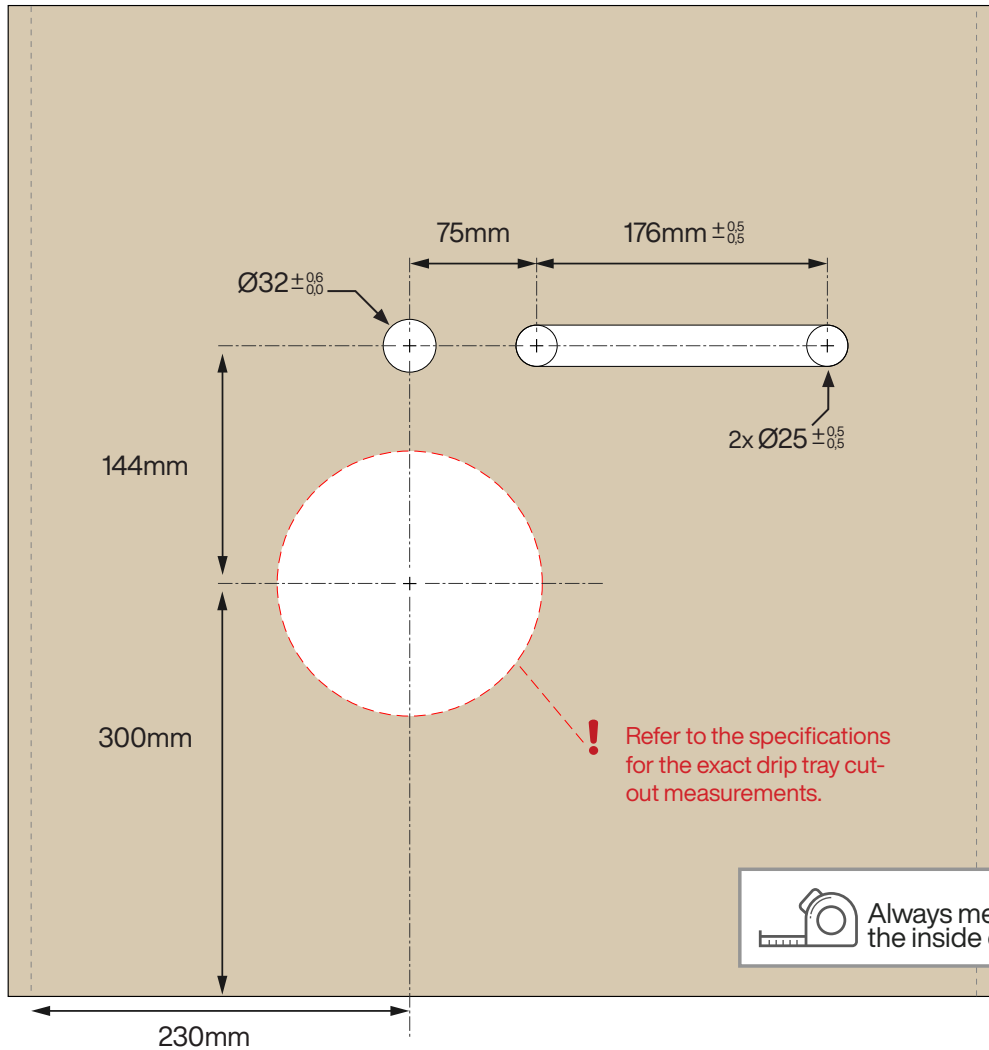
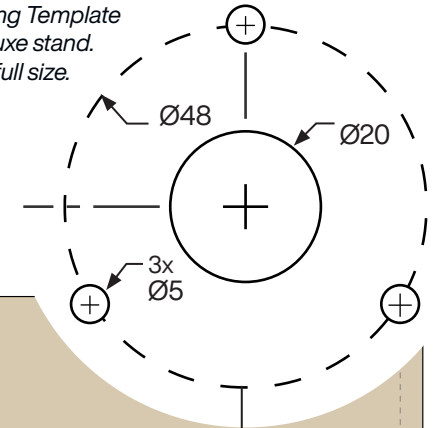


iPad Standard Holder



iPad Deluxe Holder

1:1 Drilling Template for iPad Deluxe stand. Print A4 full size.



! Refer to the specifications for the exact drip tray cut-out measurements.

! Refer to the specifications for the exact drip tray cut-out measurements.

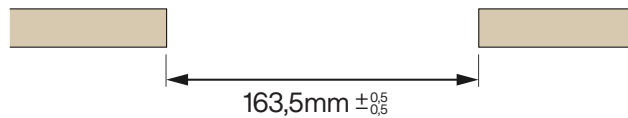
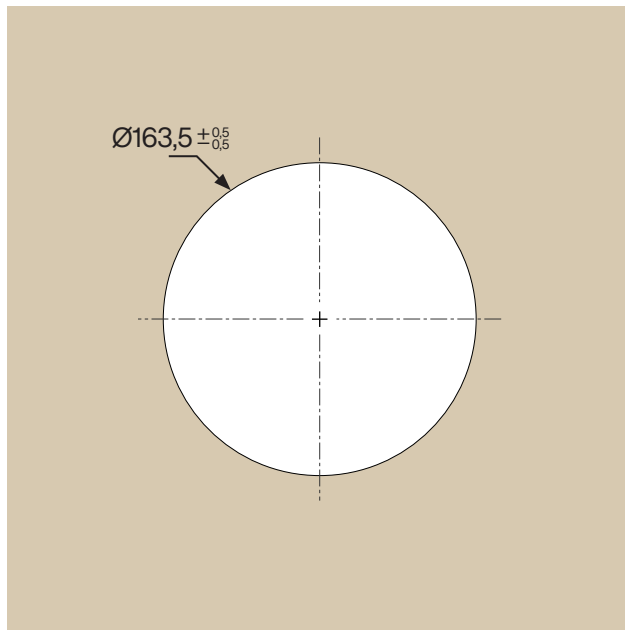
Always measure from the inside of the cabinet.

Drip Tray Top-Mounted



Top-Mounted drip tray with lip is recommended for wooden countertops or countertops where the cut-out must go all the way through.

SKU: 2006162A

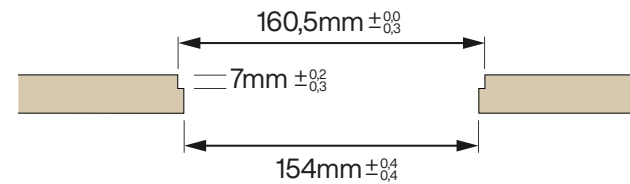
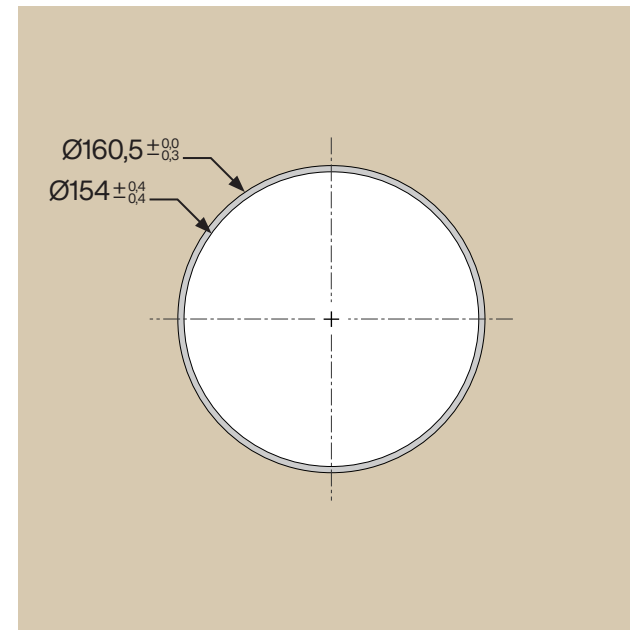


Drip Tray Countersunk



Countersunk drip tray is recommended for solid countertops where the cut-out can be milled with a template.

SKU: 2006162



| ELECTRICITY

Top+health

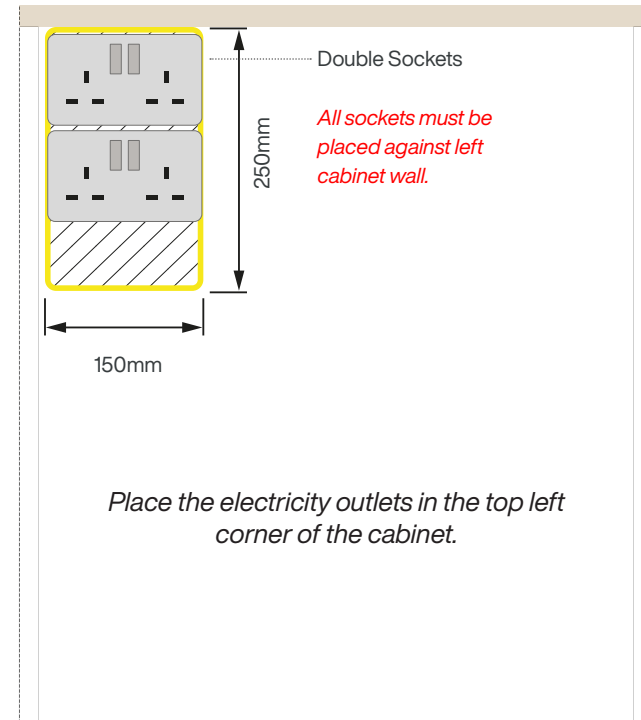
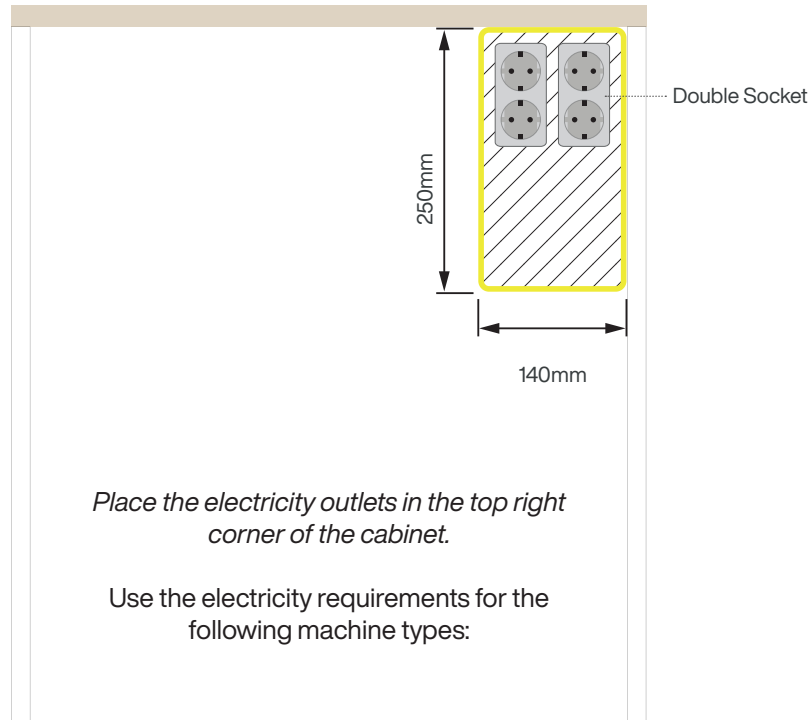
INFORMATION FOR
ELECTRICIAN


WATCH
VIDEO
GUIDE



Placement of electricity outlets in cabinet (EU Machine Installations)


The correct placement of the safety switch and power strips is important to ensure space for later installation of the ventilation system and machines.



EU 	2x Double Socket - 230V, 1P+N+E, type Schoko.
US 	2x Double Socket - 115V, 1P+N+E, Type B

UK 	2 x 13A Double Socket - 230V.
--	-------------------------------

IMPORTANT

 Electrical installations to be placed with this area. 

| PLUMBING

Top+health

INFORMATION FOR
PLUMBER

WATCH
VIDEO
GUIDE



Placement of plumbing in cabinet

Each installation requires a water outlet and a waste stack.

Plumbing must be placed in the cabinet adjacent to the machine cabinet. Depending on the specific installation, this can be on either side.

